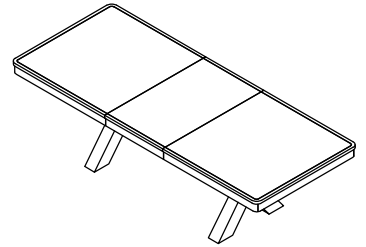


**Warning :**

- Be sure to check all packing material carefully for small parts, which may have come loose inside the carton during shipment.
- To prevent possible scratches and damage, this furniture **MUST BE ASSEMBLED BY TWO PEOPLE** on a soft surface such as a blanket or carpet.



#50352 78-in Trestle Table-Top  
#50348 78-in Trestle Table-Base

**Important Use Information:** We recommend using coasters, placemats and trivets when placing hot or cold containers on this item. It is also recommended to quickly cleanup any spills to minimize exposure to moisture. Doing so will prolong the life and look of the item for many years.

**Components packed with the # 50352 Table Top**

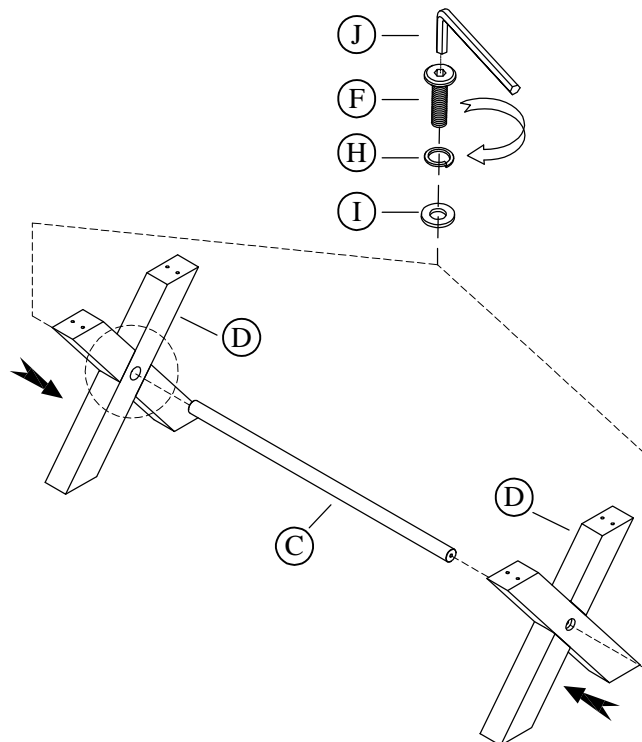
<p>Table Top</p> <p>(A) 1 pc.</p>	<p>Leaf Top</p> <p>(B) 1 pc.</p>	<p>Stretcher</p> <p>(C) 1 pc.</p>
-----------------------------------	----------------------------------	-----------------------------------

**Components & Hardware packed with the # 50348 Table Base**

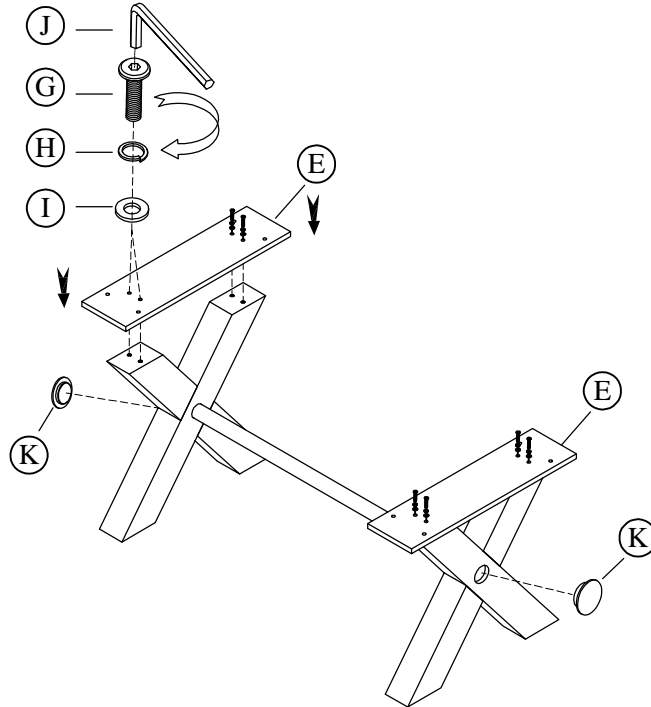
<p>Leg Frames</p> <p>(D) 2 pcs.</p>	<p>Mouting Plate</p> <p>(E) 2 pcs.</p>	<p>Allen Head Bolt Ø5/16"-18 x 2-7/8"</p> <p>(F) 2 pcs.</p>	<p>Allen Head Bolt Ø5/16"-18 x 1-1/2"</p> <p>(G) 16 pcs.</p>	<p>Spring Washer Ø5/16"</p> <p>(H) 18 pcs.</p>	<p>Flat Washer Ø5/16" x 19*2mm</p> <p>(I) 18 pcs.</p>	<p>Allen Key 5mm</p> <p>(J) 1 pc.</p>
-------------------------------------	--	---	--	--	---	---------------------------------------

<p>Wood Plug</p> <p>(K) 2 pcs.</p>
------------------------------------

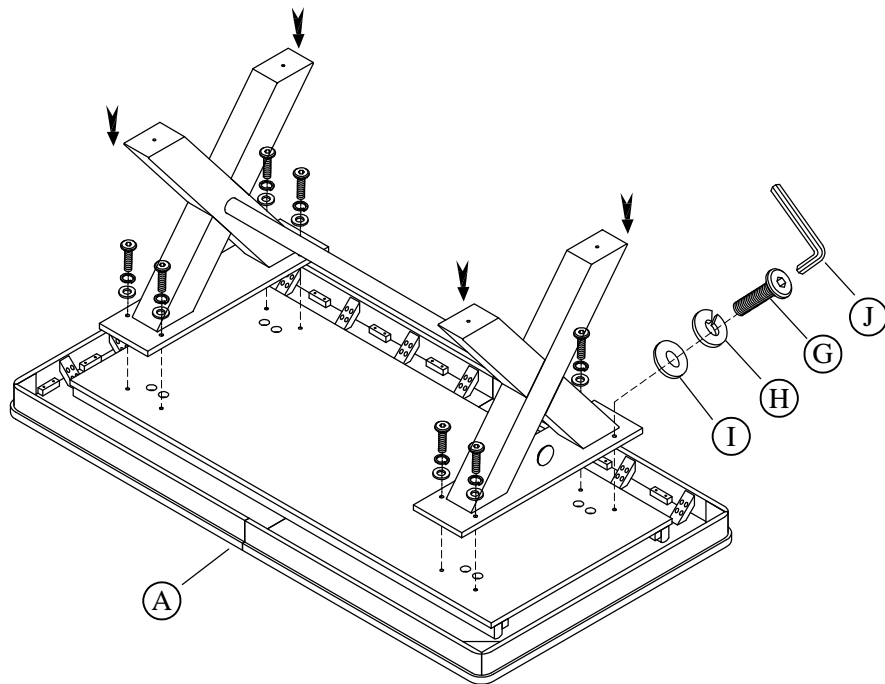
**Step 1**



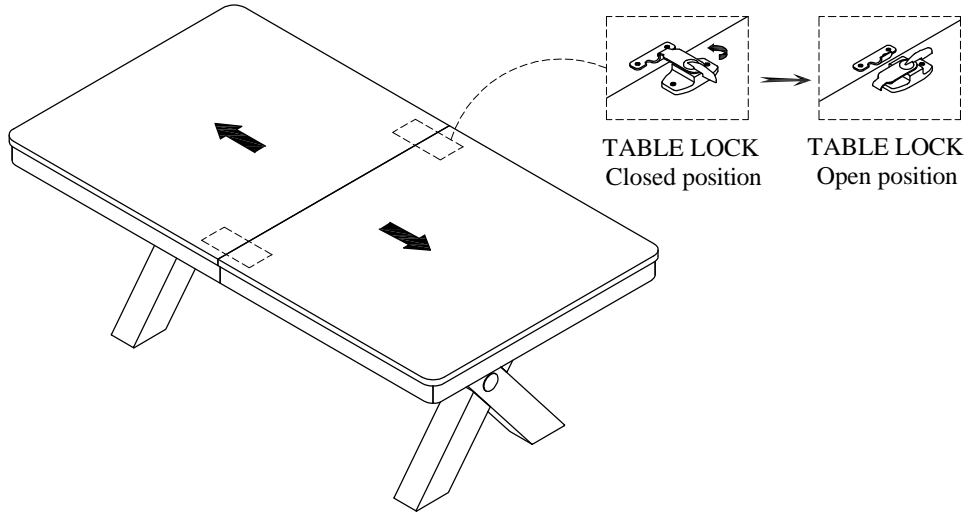
STEP 2:



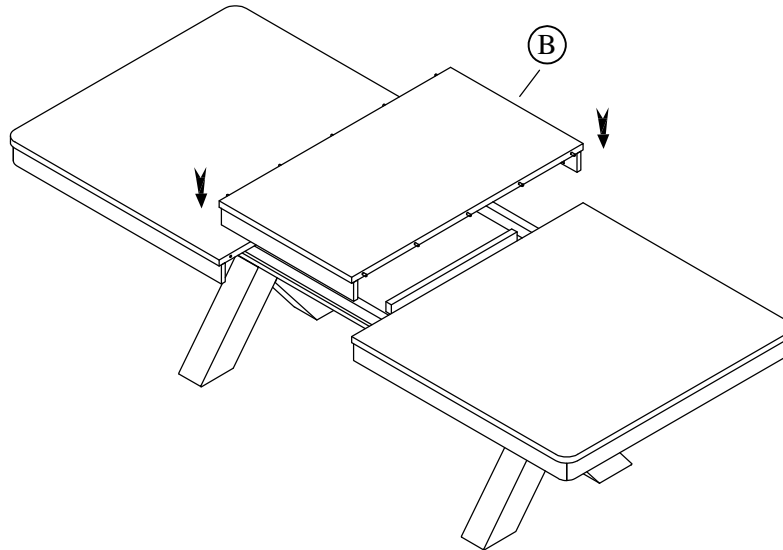
STEP 3:



STEP 4:



STEP 5:



STEP 6:

